



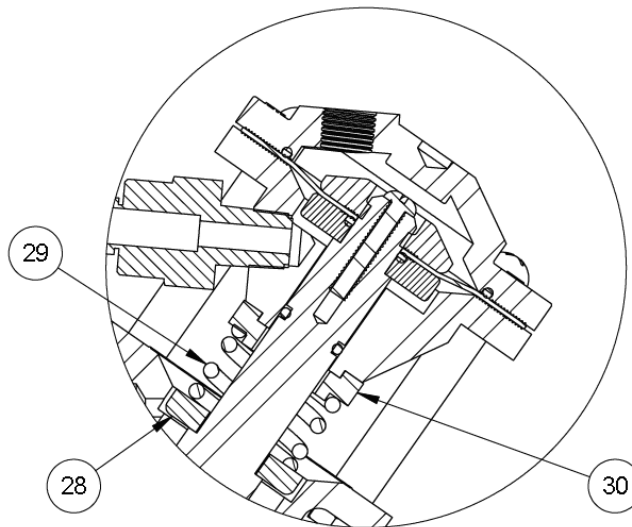
AQ Matic Valve & Controls Company, Inc.

February 22, 2018

PERFORMANCE BULLETIN 108

K550 Spring Retainer Material Change to Stainless Steel

Spring Retainer PN 1075344 (item #28 in drawing below) used in the 1/2" AquaMatic Isolated Bonnet valves series K550 will be changing material from Noryl to 303 Stainless Steel. The dimensional characteristics of the part will remain the same and they can be used interchangeably. Note the mating parts like Spring (item #29) and Centering Collar (item #30) are also stainless. As a result, the Noryl parts will be obsoleted and replaced with the Stainless parts in both valves and kits.



If any questions should arise, please contact us at TechSupport@AQ-Matic.com or +1-262-326-0100.

Thank you for your business,

Jeremy Josetti
General Manager